

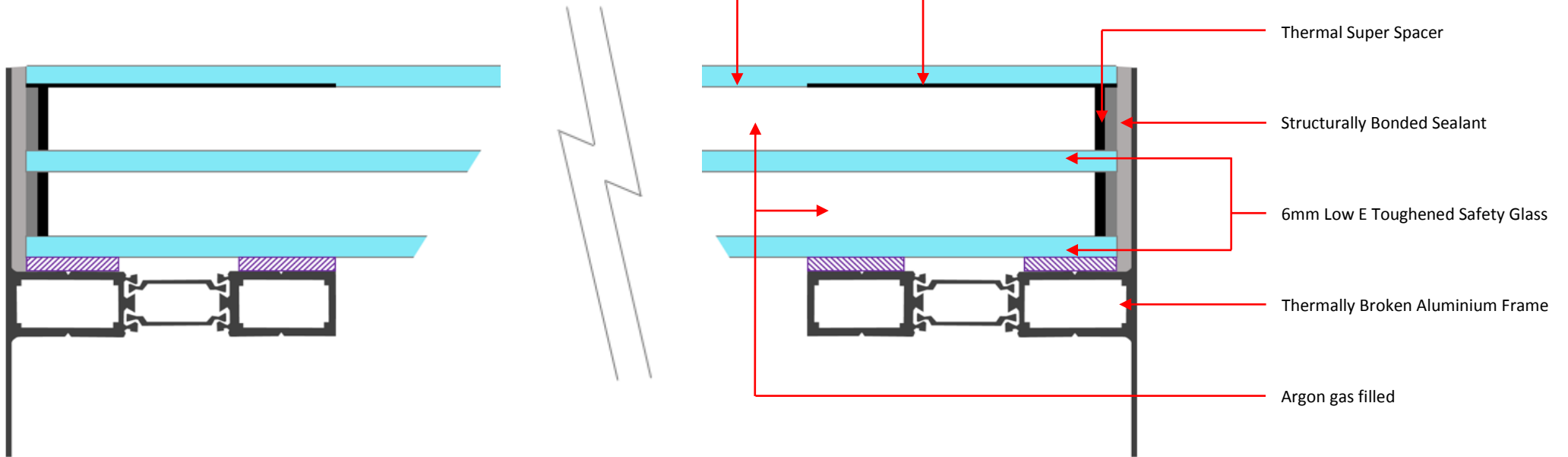
Fixed Flat Thermal Rooflight

Triple Glazed 0.7 U-Value

TECHNICAL

Manufactured to:

BS EN – 12150
BS EN -1279



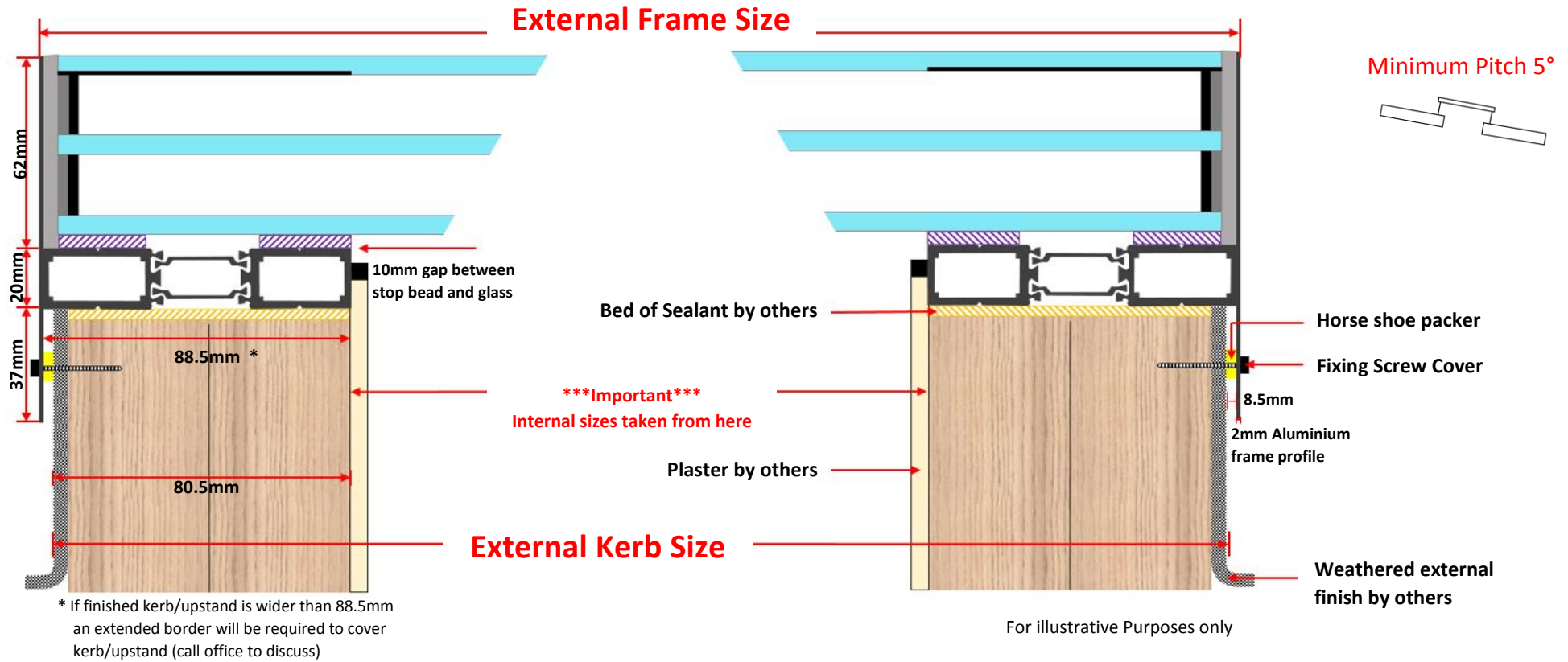
Please note it is the responsibility of the customer to ensure that all products purchased and used are compliant with Building Regulations.

Option 1 (Fixing from Externally) Fixed Rooflight Installation Guide

Fixed Flat Thermal Rooflight Typical Installation Guide

Triple Glazed

TECHNICAL
Manufactured to
BS EN – 12150
BS EN -1270

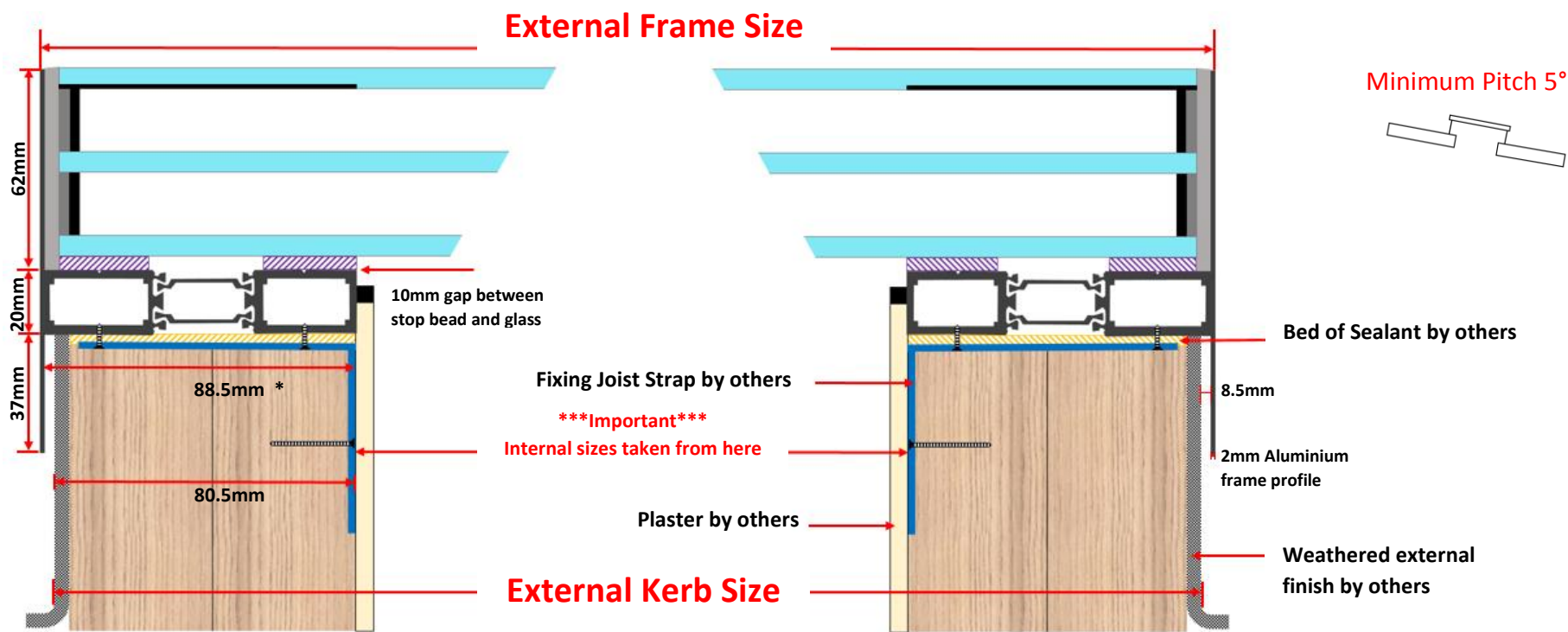


Option 2 (Fixing from Internally) Fixed Rooflight Installation Guide

Fixed Flat Thermal Rooflight Typical Installation Guide

Triple Glazed

TECHNICAL
Manufactured to
BS EN – 12150
BS EN -1270



* If finished kerb/upstand is wider than 88.5mm an extended border will be required to cover kerb/upstand (call office to discuss)

For illustrative Purposes only

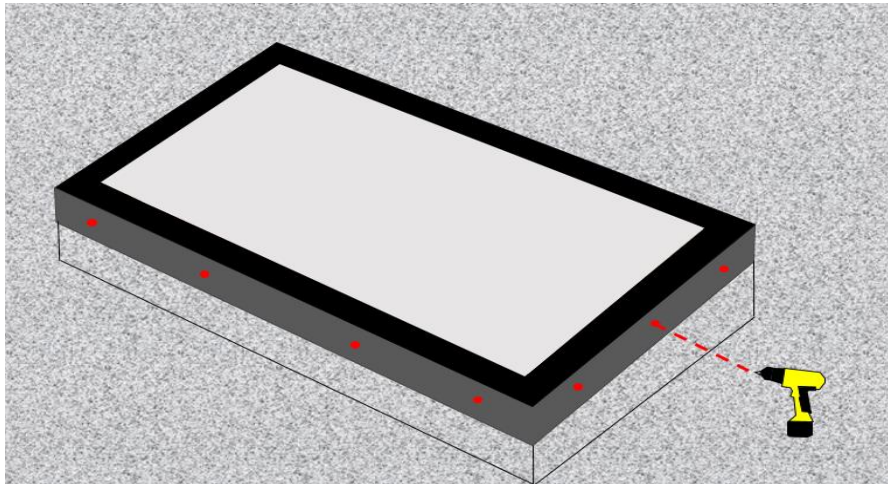
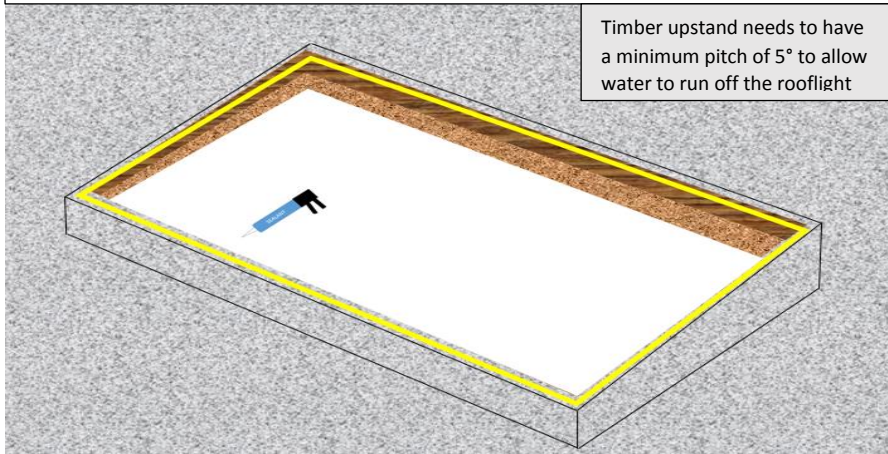


GREAT
HARWOOD
WINDOWS

WINDOWS, DOORS
& MORE

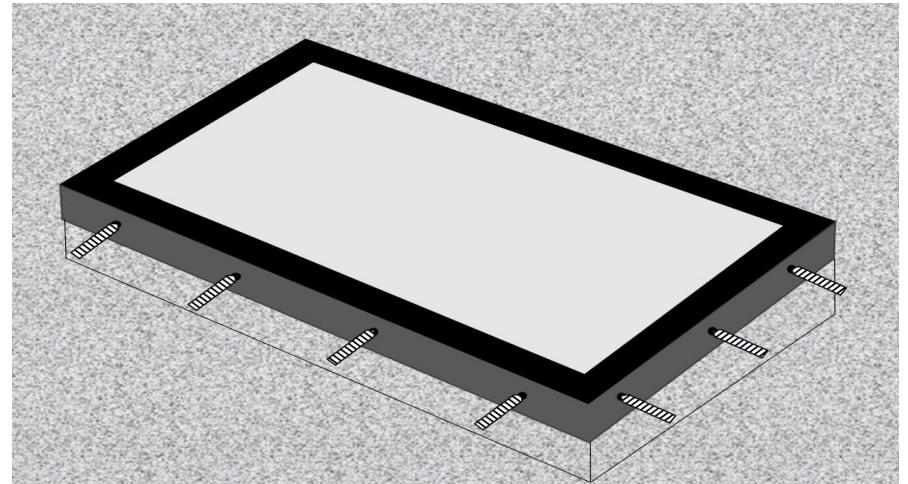
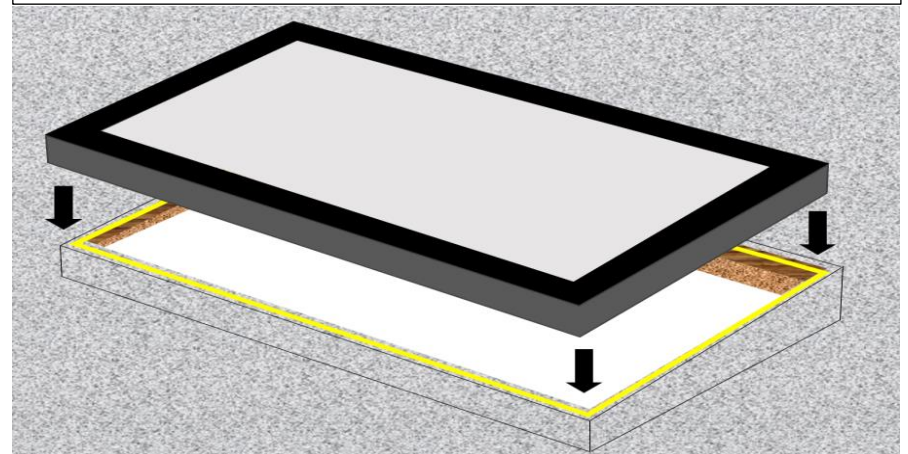
Option 1 (Fixing from Externally) Fixed Rooflight Installation Guide

- 1) Apply a thick bead of silicone all the way around the top of the timber upstand/kerb



- 3) Pre drill fixing holes through aluminium and timber upstand/kerb at 100mm from each corner and then at regular intervals.

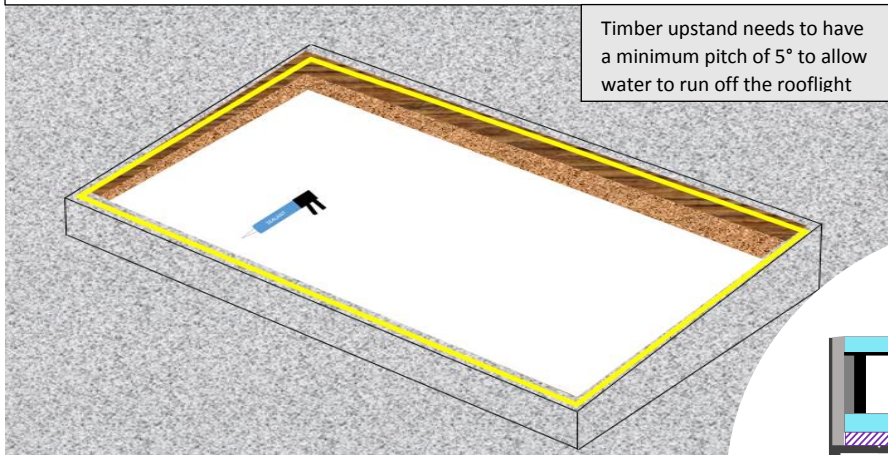
- 2) Position and lower the Rooflight frame over the top and side of the upstand/kerb



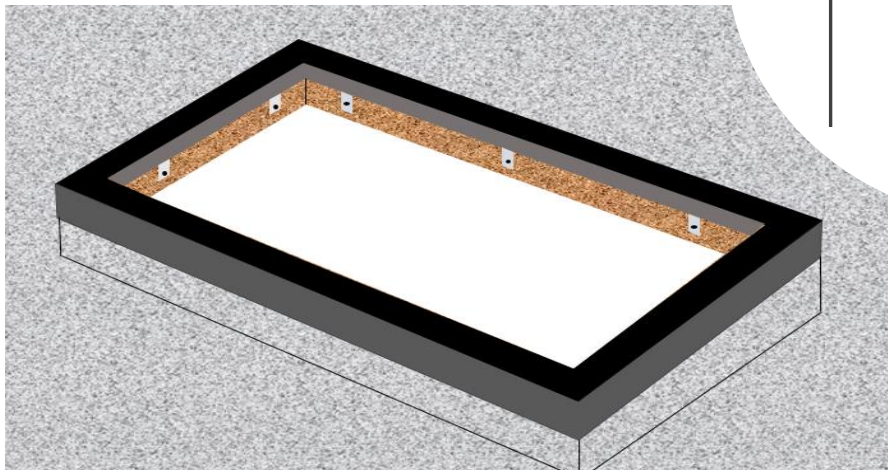
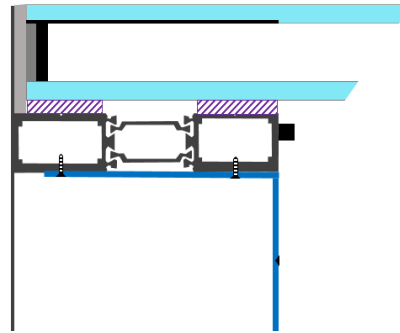
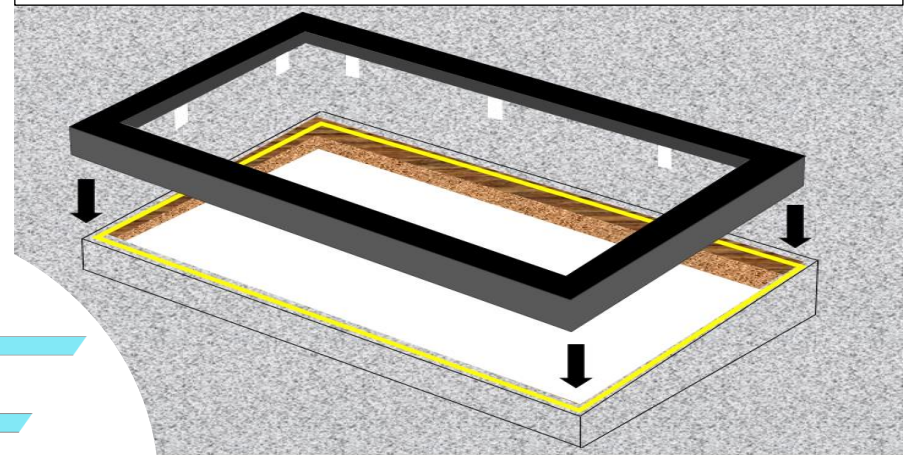
- 4) Secure fixing screws with horse shoe packers and finishing caps continuously all the way around securing the aluminium frame in place.

Option 2 (Fixing from Internally) Fixed Rooflight Installation Guide

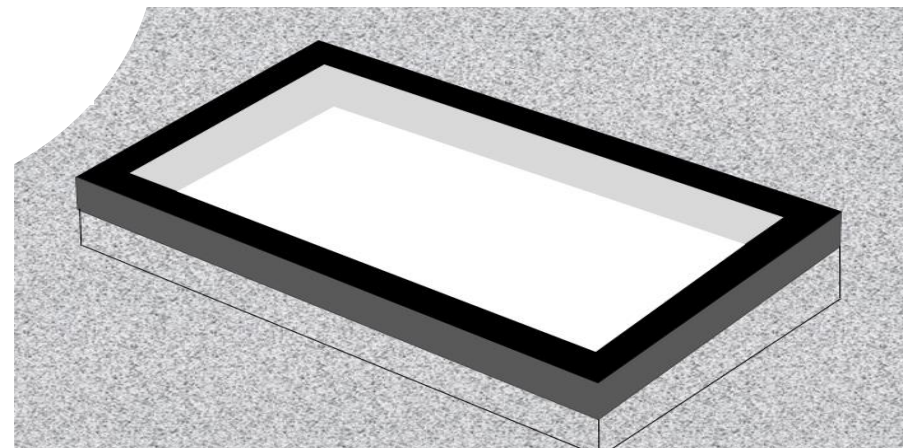
- 1) Apply a thick bead of silicone all the way around the top of the timber upstand



- 2) Position the Rooflight over the upstand ensuring that the fixing straps have been fixed to underside of frame (refer to diagram centre).



- 3) From the inside secure the fixing straps to inside the timber upstand.



- 4) Internally finish by plaster boarding over the timber and straps leaving at least a 10mm gap from the top of the plasterboard to glass.